

US

Product Portfolio

FUCHS MATERIAL HANDLERS



FUCHS.

A TEREX BRAND

MHL



MHL 310 MHL 320 MHL 331 MHL 335 MHL 340



114 hp	127 hp	154 hp	154 hp	173 hp
■	127 hp	154 hp	154 hp	171 hp
75 kW	75 kW	90 kW	90 kW	110 kW
37,699 lbs	46,297 lbs	53,351 lbs	56,217 lbs	67,461 lbs
29'6"	34'1"	39'4"	39'4"	44'11"

MHL



MHL 434 MHL 354 MHL 364 MHL 350 HD



154 hp	215 hp	255 hp	215 hp
154 hp	198 hp	250 hp	198 hp
56,659 lbs	76,941 lbs	106,042 lbs	82,673 lbs
35'1"	37'1"	39'8"	52'5"

FQC



FQC 340* FQC 350*



173 hp	215 hp
171 hp	198 hp
110 kW	132 kW
65,697 lbs	78,264 lbs
36'1"	42'7"

* More FQC models upon request

** Basic machine (with stick head and without attachment)

MQC

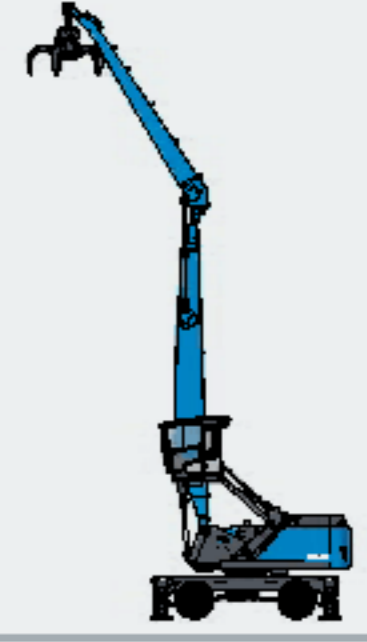
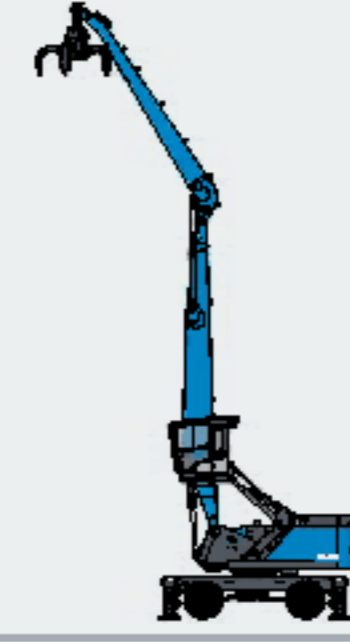
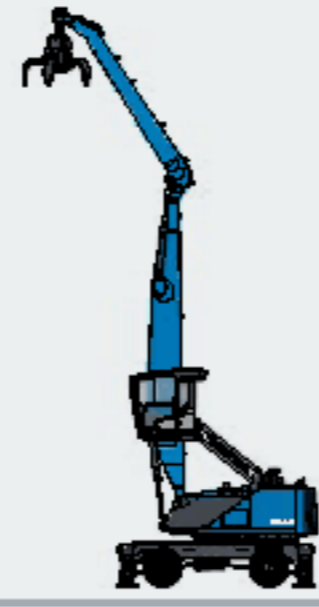
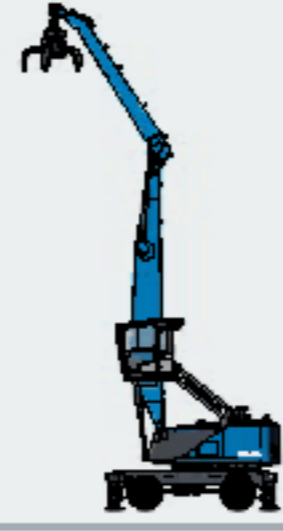


MQC 345* MQC 350*



173 hp	215 hp
171 hp	198 hp
110 kW	132 kW
70,547 lbs	75,839 lbs
41'4"	49'2"

* More MQC models upon request



MHL 345

MHL 350

MHL 355

MHL 360

MHL 365



173 hp

215 hp

215 hp

255 hp

255 hp

171 hp

198 hp

198 hp

250 hp

250 hp

110 kW

132 kW

132 kW

160 kW

160 kW

68,784 lbs

78,264 lbs

90,169 lbs

107,585 lbs

114,200 lbs

44'11"

52'5"

52'5"

59'

59'

RHL



RHL 320

RHL 331

RHL 340

RHL 350

RHL 360



127 hp

154 hp

173 hp

215 hp

255 hp

127 hp

154 hp

171 hp

198 hp

250 hp

75 kW

90 kW

110 kW

132 kW

160 kW

62,831 lbs

63,934 lbs

83,775 lbs

94,798 lbs

119,049 lbs

34'1"

39'4"

44'11"

52'5"

59'

BQC



BQC 355*



215 hp

198 hp

132 kW

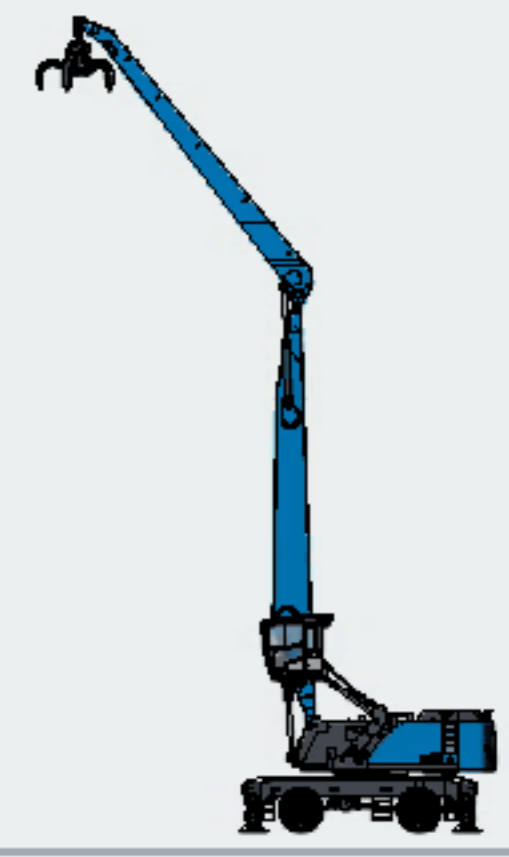
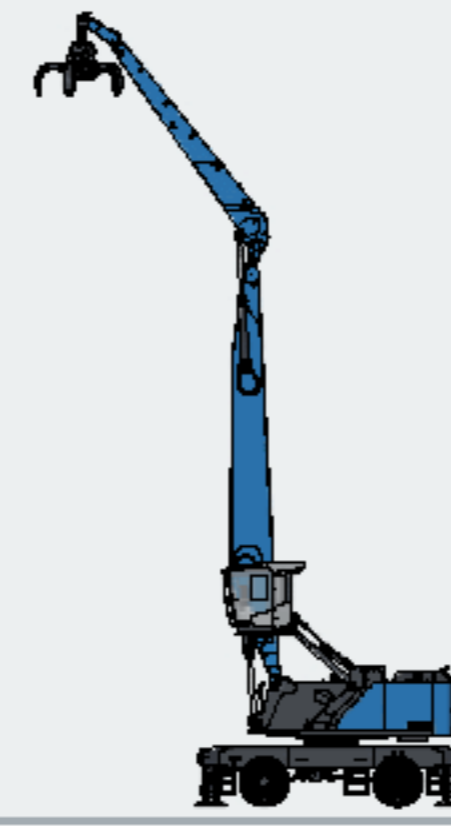
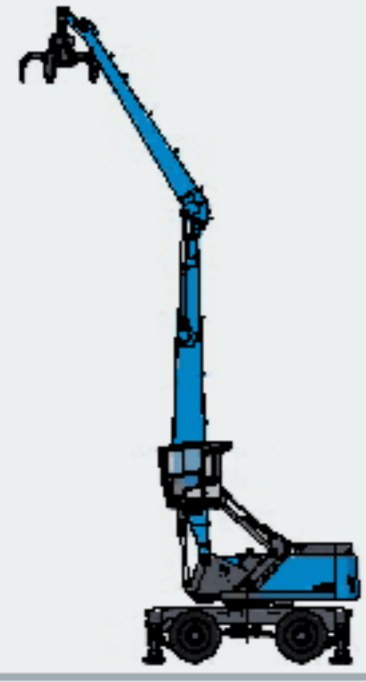
90,169 lbs

52'5"



Let's handle it!

* More BQC models upon request



MHL 370

MHL 375

MHL 380

MHL 390



308 hp

328 hp

328 hp

402 hp

308 hp

328 hp

328 hp

366 hp

200 kW

220 kW

220 kW

250 kW

114,640 lbs

146,607 lbs

158,300 lbs

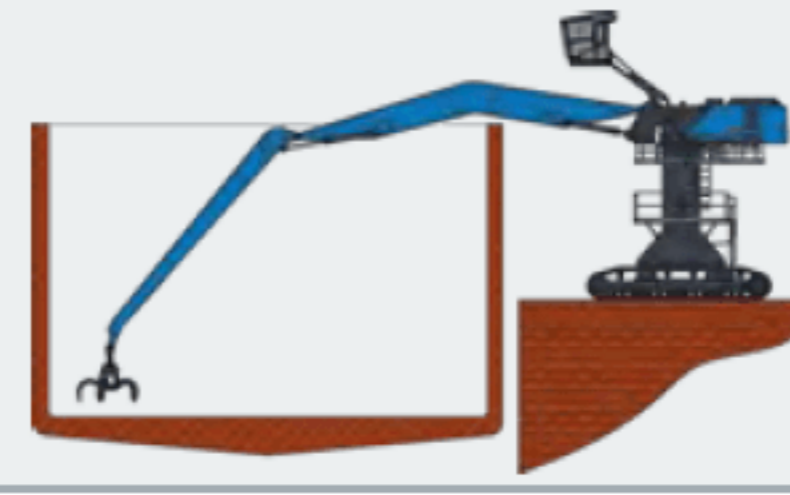
191,802 lbs

59'

65'7"

72'2"

80'4"



RHL 370

RHL 380

RHL 390

RHL 390 XL

RHL 390 GANTRY



308 hp

328 hp

402 hp

402 hp

402 hp

308 hp

328 hp

366 hp

366 hp

366 hp

200 kW

220 kW

250 kW

250 kW

250 kW

121,254 lbs

169,756 lbs

211,644 lbs

231,485 lbs

242,508 lbs

59'

72'2"

80'4"

80'4"

80'4"

AHL



AHL 350 PYLON*

AHL 350 STANDARD*



215 hp

215 hp

198 hp

198 hp

132 kW

132 kW

56,217 lbs

78,264 lbs

52'5"

52'5"

* More AHL models upon request



MHL 360 PYLON (2'7'')

MHL 365 PYLON (4'7'')



255 hp

255 hp

250 hp

250 hp

160 kW

160 kW

110,451 lbs

122,356 lbs

59'

59'



PYLON-MOUNTED MACHINES

As an option every Fuchs machine can be equipped with a pylon.



Key



Engine power
U.S. Tier 4/ EU Stage V



Engine power
U.S. Tier 3/ EU Stage IIIA



Electric motor



Max. service weight
without attachments



Max. reach

MODULAR SYSTEM

ATTACHMENTS



Cactus grab



Timber grapple



Magnet plate



Clamshell grab

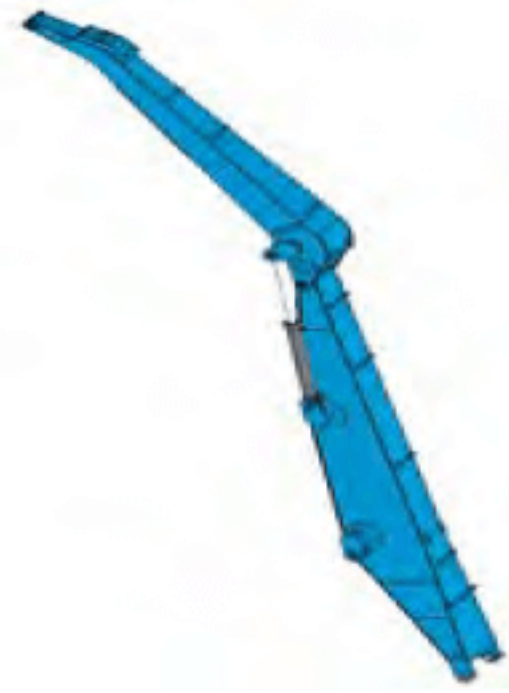


Load hook



Sorting grapple

WORK EQUIPMENT



Straight



Banana boom



Universal stick



FQC
Fuchs QuickConnect



MQC
Multi QuickConnect

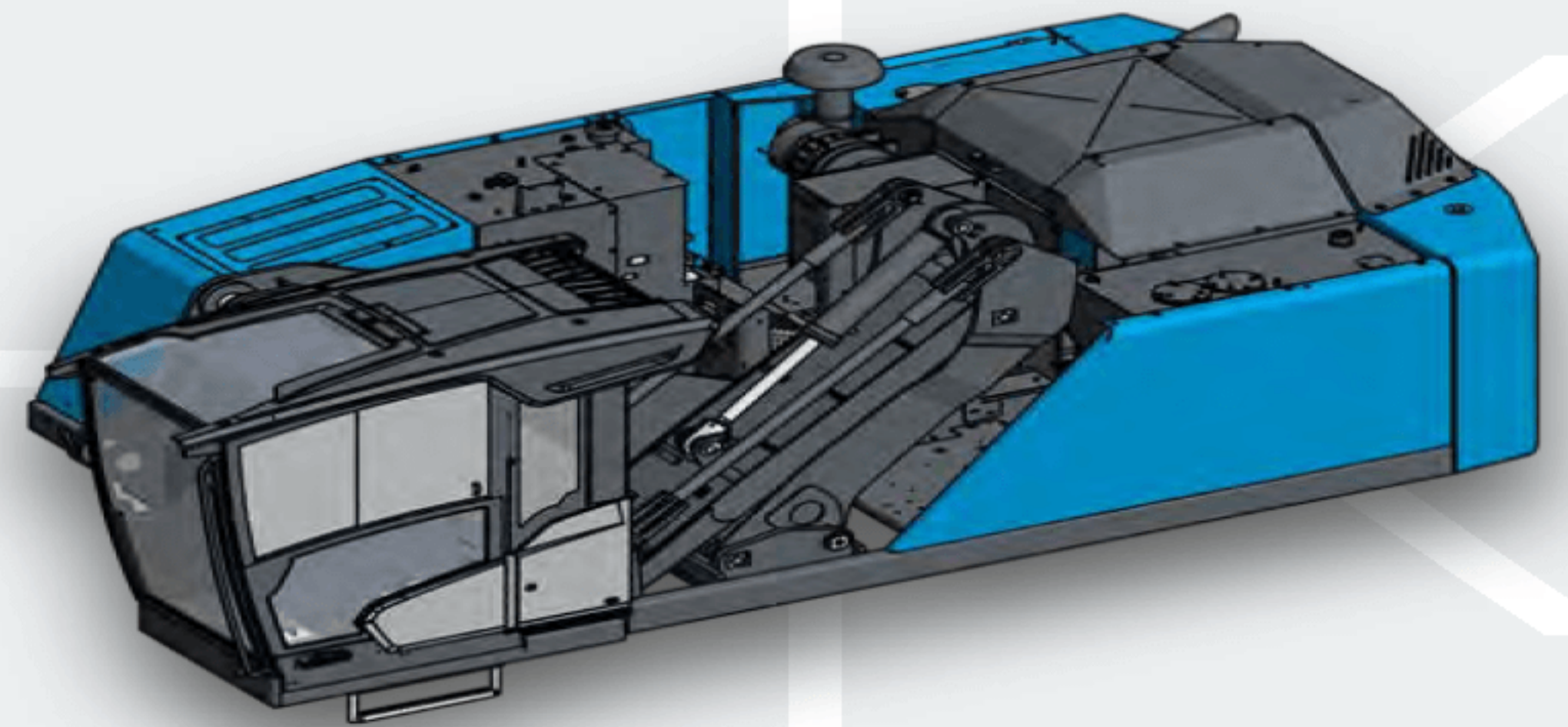


BQC
Boom QuickConnect

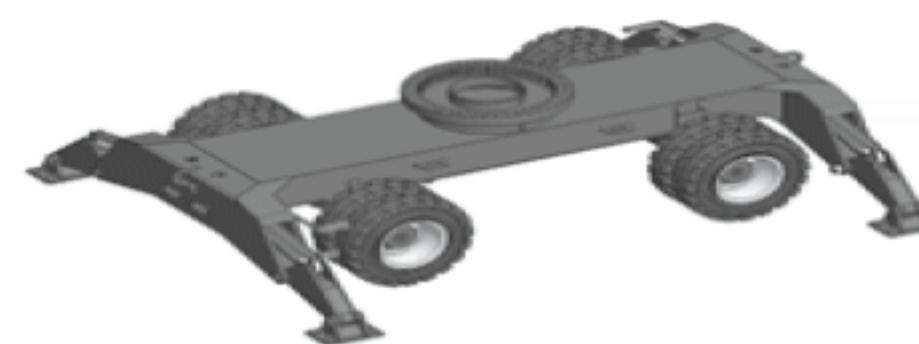
CAB SYSTEMS



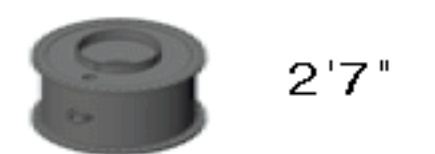
Vertically adjustable



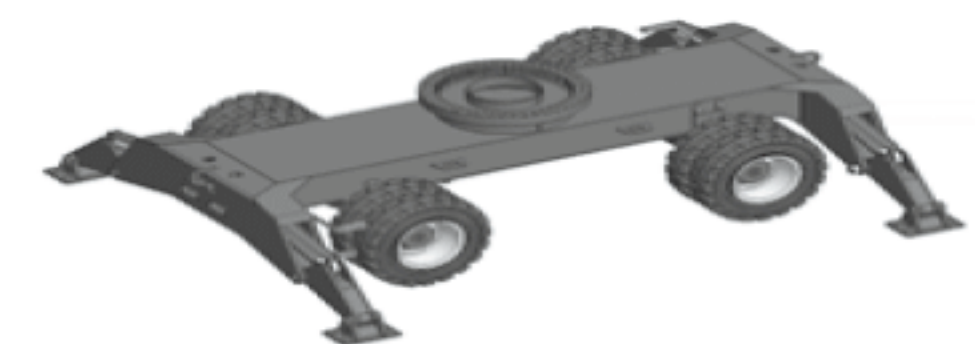
UNDERCARRIAGES



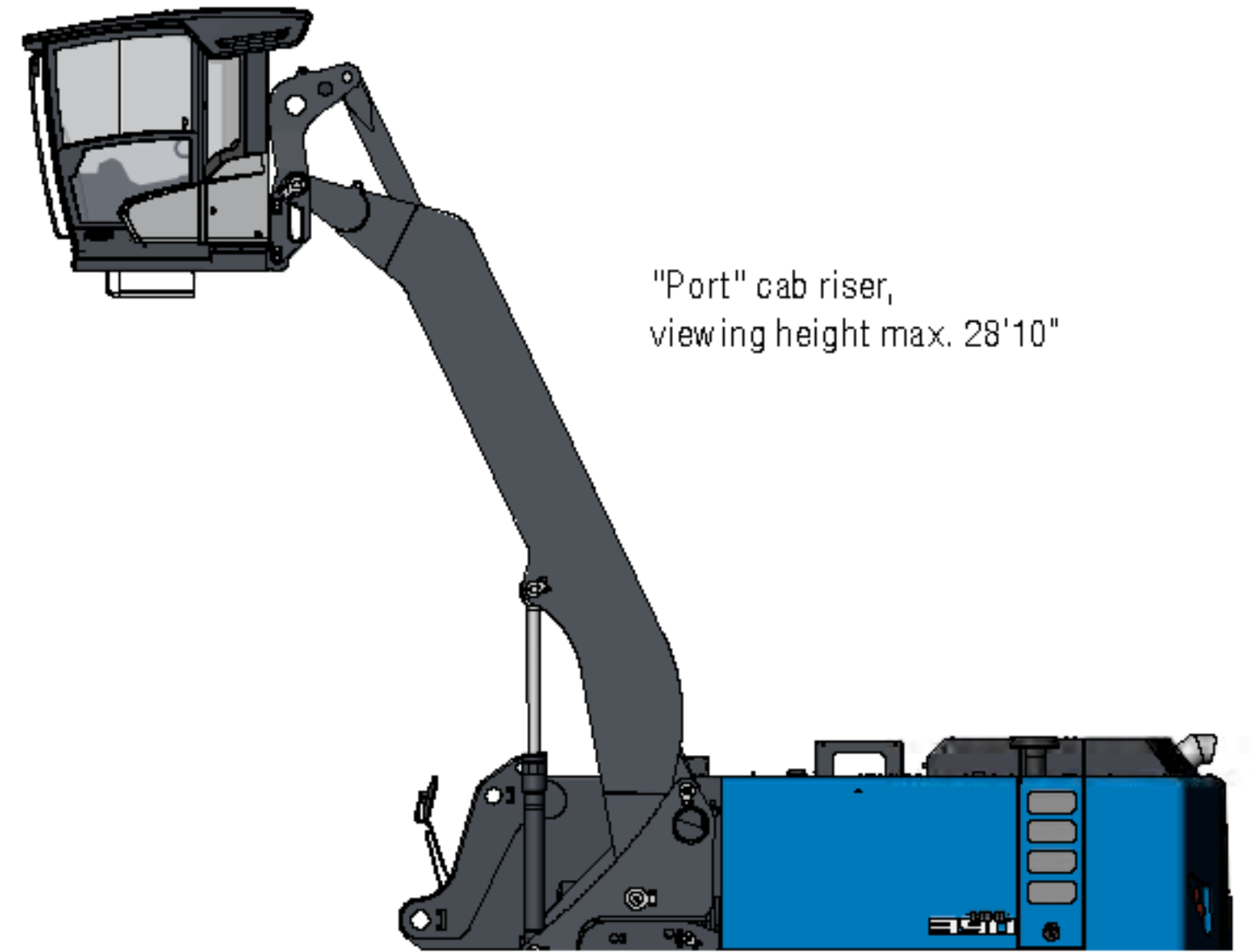
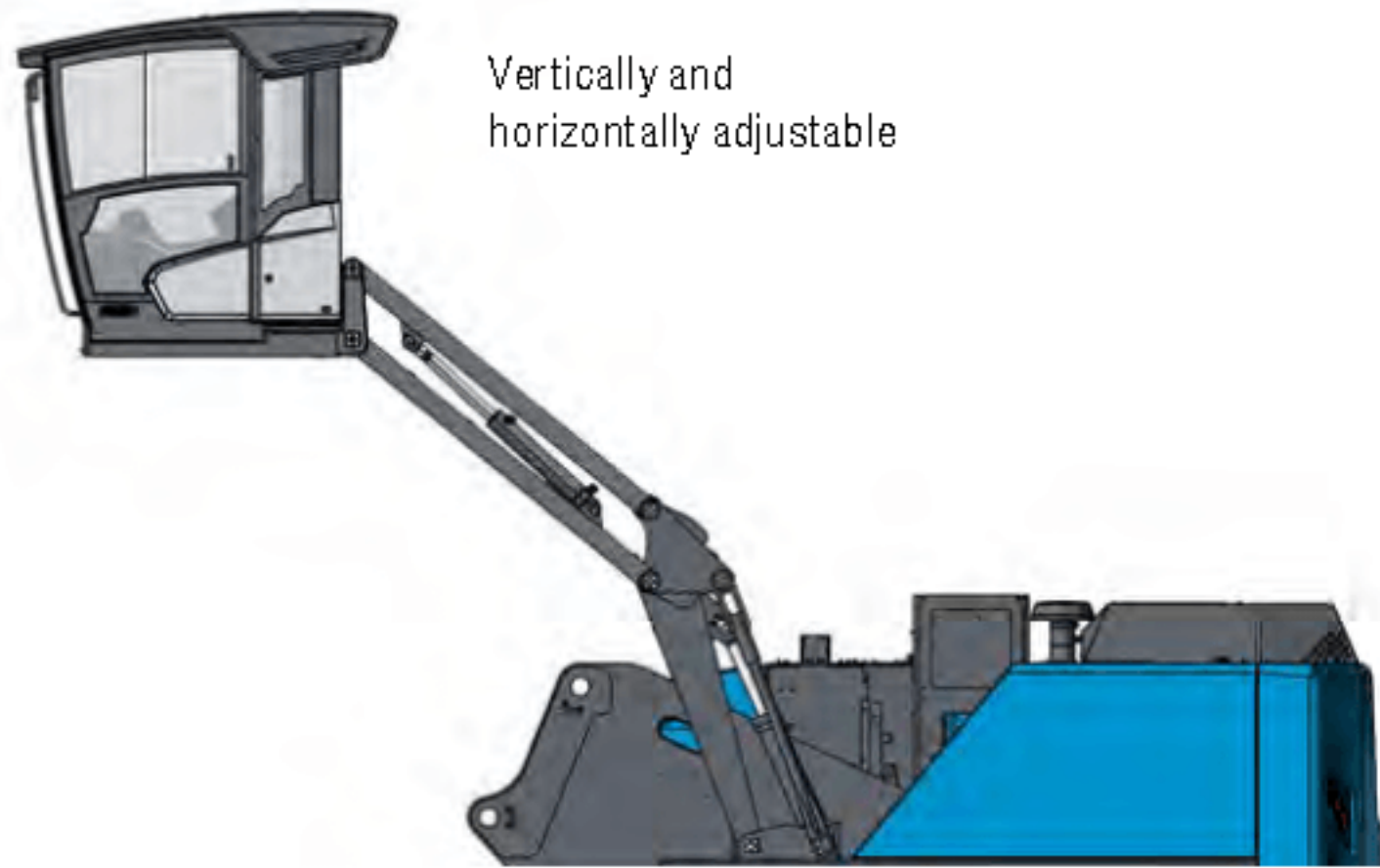
Standard-undercarriage



27"



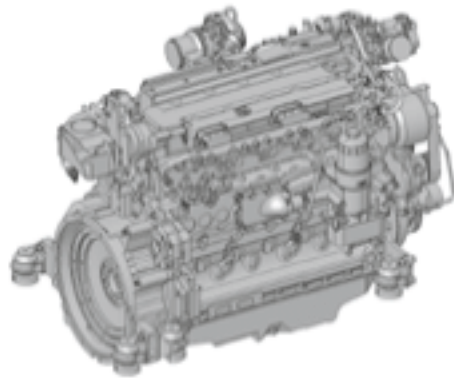
Standard-undercarriage



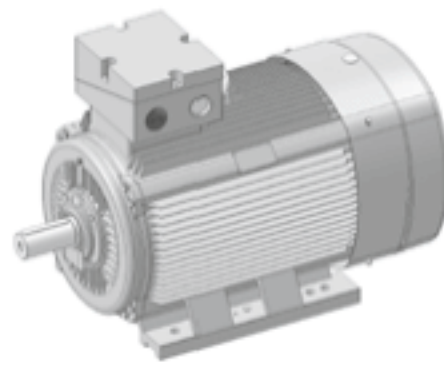
ENGINES

+

Diesel engine



Electric motor



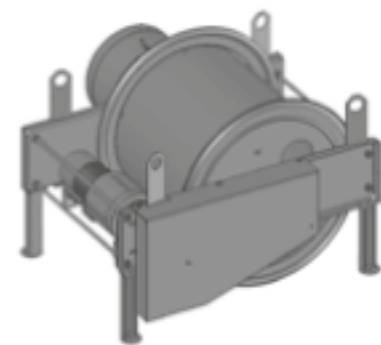
OPTIONS

+

Cable reel



Cable drum

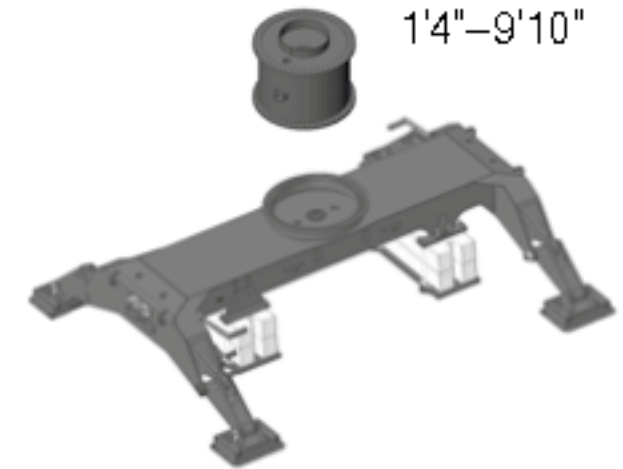


2'-9'10"



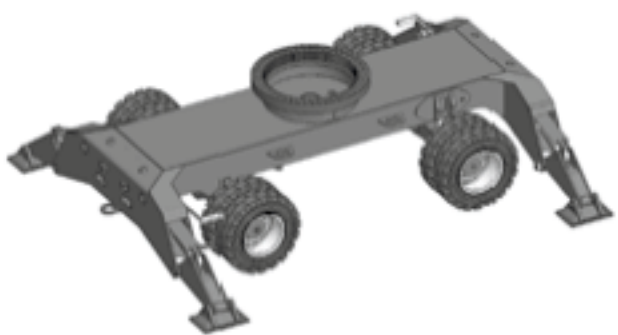
AHL Pylon

1'4"-9'10"



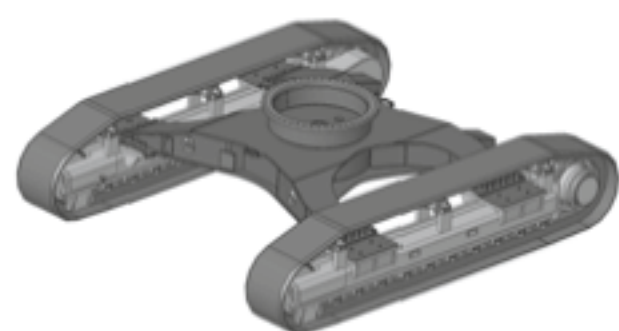
AHL Standard-undercarriage

4'7"

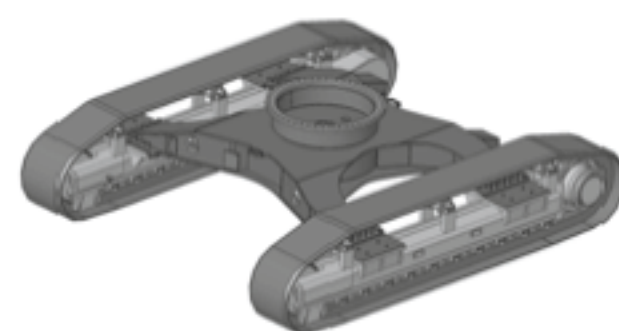


XL-undercarriage

2'7"

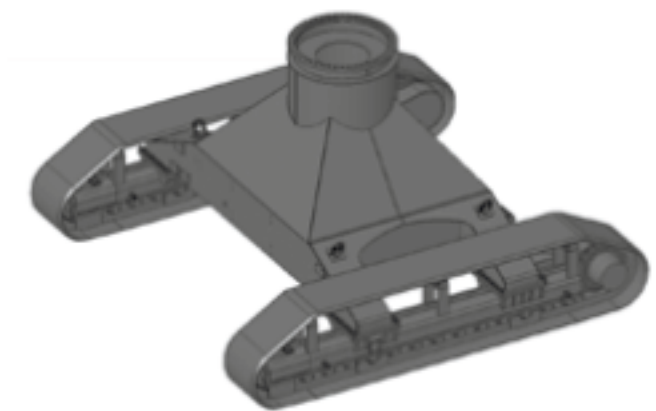


Crawler



Crawler

12'2"



Crawler: XL-undercarriage



www.terex-fuchs.com

May 2021. Product specifications and prices are subject to change without notice or obligation. The photographs and/or drawings in this document are for illustrative purposes only. Refer to the appropriate Operator's Manual for instructions on the proper use of this equipment. Failure to follow the appropriate Operator's Manual when using our equipment or to otherwise act irresponsibly may result in serious injury or death. The only warranty applicable to our equipment is the standard written warranty applicable to the particular product and sale and Terex makes no other warranty, express or implied. © Terex Corporation 2021. Terex, the Terex Crown design, Fuchs and Works For You are trademarks of Terex Corporation or its subsidiaries.

Fuchs USA | 11001 Electron Drive | Louisville, KY 40299 | USA | Phone: +1 610-763-7867 | sales.fuchsus@terex.com

