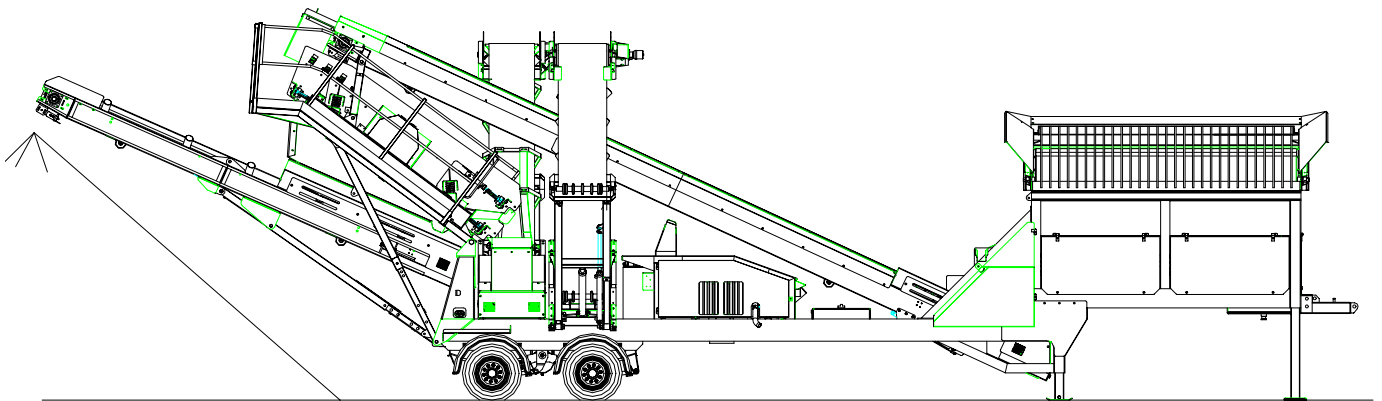
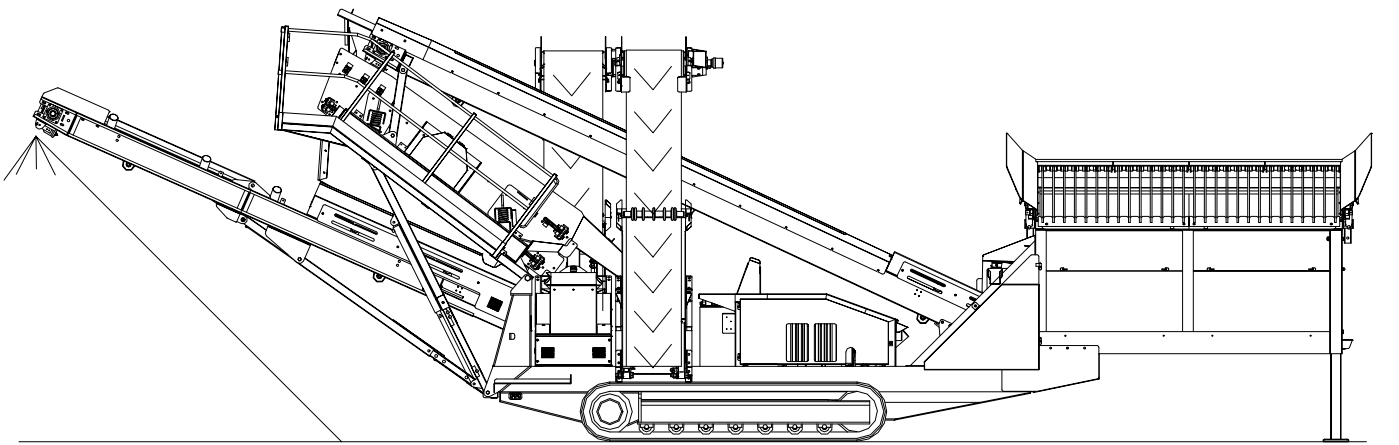




Powerscreen International. Dist. Ltd.  
Coalisland Road, Dungannon,  
Co.Tyrone, N.Ireland BT71 4DR  
Tel: +44(0) 2887 740701  
Fax: +44(0) 2887 746569  
Email: [mail@powerscreen.co.uk](mailto:mail@powerscreen.co.uk)

# *INTRODUCING THE Turbo Chieftain 1400*



All specifications subject to change without prior notice.



## *Turbo Chieftain 1400 Technical Specification*

Chieftain 1400 JAN. 2000

Page 2

### **FEATURES**

• Total weight	21,760kg (47,900 lbs)	<b>W</b>
• Total weight	25,200kg (55,400 lbs)	<b>T</b>
• Vibrating grid fitted	25,220kg (55,484 lbs)	<b>W</b>
• Vibrating grid fitted	28,660kg (63,052 lbs)	<b>T</b>
• Width (transport)	2.75m (9')	
• Length (transport)	15.59m (51' - 1")	<b>W</b>
•	13.95m (45' - 9")	<b>T</b>
• Height (transport)	3.9m (12' - 8")	<b>W</b>
•	3.2m (10' - 6")	<b>T</b>
• Vibrating grid fitted	3.4m (11' - 1")	<b>T</b>
• Hopper capacity	7.0m <sup>3</sup> (9.15yds)	<b>T</b>
•	7.5m <sup>3</sup> (9.81yds)	<b>W</b>
• Screenunit	4 – bearing 3.3m x 1.5m (11' x 5')	
• Powerunit	Diesel Hydraulic with Deutz BF4M1012C – 82kW (109 Hp).	

### **ADVANTAGES**

- High capacity -500 TPH, (depending on mesh sizes and material type).
- Quick set up time typically under 15 minutes.
- Maximum mobility with heavy duty, low ground pressure crawler tracks. **T**
- Approved GLD braking axles, spring suspension, mudguards and 235/65/R17.5 dual road wheels. **W**
- Removable heavy duty pendant remote control system. **T**
- Optional radio control system available if required at extra cost. **T**
- High performance hydraulic system – David Brown pumps, Danfoss motors, Oil cooler, Commercial Hydraulics control valves.
- Angle adjustable tipping grid with radio control double acting tipping grid rams.
- Low profile Single deck Vibrating Grid option with remote control tipping. Angle adjustable and fully riveted construction.

### **APPLICATIONS**

- Sand and gravel
- Topsoil
- Coal
- Crushed stone
- Recycling

**NB - W = WHEEL MACHINE / T = TRACK MACHINE**

**UNLIMITED SOLUTIONS FOR LIMITED RESOURCES**

All specifications subject to change without prior notice.



## Turbo Chieftain 1400 Technical Specification

Chieftain 1400 JAN. 2000

Page 3

### Hopper & Grid:

Adjustable angle tipping grid with integral loading and wing plates	
Grid opening	3.57m x 1.8m (11'-9" x 5'-11")
Grid aperture:	102mm (4")
Target area:	4.3 x 1.8m (14'-1" x 5'-11")
Hopper capacity:	7.5m <sup>3</sup> (9.81cu.yds) <b>W</b>
	7.0m <sup>3</sup> (9.15cu.yds) <b>T</b>

### Screenunit:

11' x 5' (3.3 x 1.5m) double deck, 4 bearing, free floating vibration system which eliminates the need for fine tuning.

### Feed Conveyor:

1050mm (42") wide direct feed conveyor with direct drive system & hydraulic variable speed control.

### Shredder:

Optional, single shaft, flail type shredder designed for use in top soil applications.

### Main Conveyor:

1050mm (42") wide hydraulically adjustable conveyor, fully skirted & sealed to prevent spillage.

### Tail Conveyor:

1200mm (48") wide hydraulically folding tail conveyor  
3.85m (12' - 7.5") stockpile height. (Measured to drum centre) **T**  
4.08m (13' - 4.5") stockpile height. (Measured to drum centre) **W**

### Side Conveyors:

650mm (26") wide hydraulically folding side conveyors with individual, variable speed control:  
4.45m (14' - 7") stockpile height. (Measured to drum centre) **T**  
4.68m (15' - 4") stockpile height. (Measured to drum centre) **W**

### Powerunit & Hydraulics:

Diesel engine:	Deutz BF4M 1012C, with output up to 82 kW (109 Hp), developing 72 kW (96Hp) at 2200 rpm.
Flywheel pump1:	David Brown 4032/4032 (32cc/rev each circuit) <b>(Pump1 not used on shredder machine)</b>
PTO pump2:	David Brown 5023/5023 (23cc/rev each circuit)
Flywheel pump3:	David Brown 5046/5033/5033 (46cc/33cc/33cc / rev) <b>(Shredder only)</b>
Feeder Motor:	Danfoss OMSS250 (250cc/rev)
Shredder Motor:	David Brown MCC 2215 (102cc/rev)
Main conveyor Motor:	Danfoss OMT500 (500cc/rev)
Tail Conveyor Motor:	Danfoss OMT500 (500cc/rev)
Side Conveyor Motor:	Danfoss OMT500 (500cc/rev)
Screen Motor:	David Brown MCC 2208 (59cc/rev)

**NB - T = TRACK MACHINE / W = WHEEL MACHINE**

UNLIMITED SOLUTIONS FOR LIMITED RESOURCES

All specifications subject to change without prior notice.



## *Turbo Chieftain 1400 Technical Specification*

Chieftain 1400 JAN. 2000

Page 4

### ***Tank Capacities:***

Hydraulic tank:	564 L (124 Gal)
Diesel tank:	336 L (74 Gal)

### ***Crawler Track Data:***      **T**

Tractive Effort	=	14,276 daN
Gradability Percentage	=	77 -75 %
Gearbox Ratio	=	1:122
Hydraulic Motor	=	Rexroth 63 cc/rev
Approximate Speed	=	0.87 Km/hr (0.54 Mph)

### ***Road Transport:***      **W**

Wheels:	235/75/R17.5 Dual
Axle:	Approved braking axle (GLD manufacture)
Suspension:	Mono leaf spring suspension
Brakes:	Air brakes, (ABS optional)
Mudguards:	Plastic type
Lateral Protection:	Optional extra.
Lights:	Optional extra.

### ***Vibrating Grid Option***

Screen size:	3.05m x 2.14m (10' x 7').
Working angle:	10° to 20° adjustable.
Tip angle:	45° maximum.
Motor:	David Brown MCC 2208 (59cc/rev)
Circuit:	Coupled to main conveyor circuit.
Transport height:	3.4m (11' - 1.75") <b>T</b>
Transport height:	4.0m (13' - 1") <b>W</b>
Total weight:	28,660kg (63,052 lbs) <b>T</b>
Total weight:	25,220kg (55,484 lbs) <b>W</b>

***NB - T = TRACK MACHINE / W = WHEEL MACHINE***

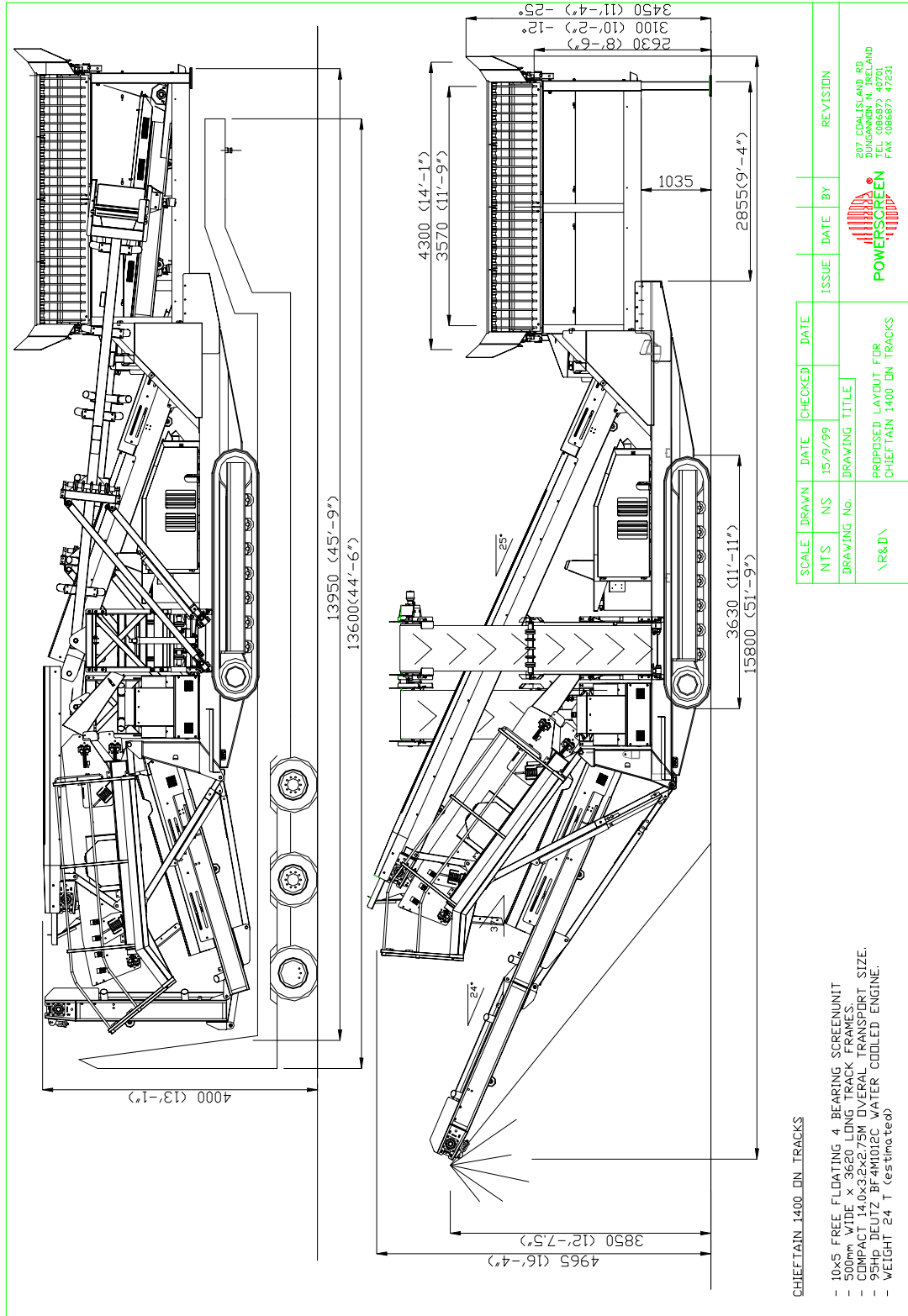


# Turbo Chieftain 1400 Technical Specification



Chieftain 1400 JAN. 2000

Page 5



UNLIMITED SOLUTIONS FOR LIMITED RESOURCES

All specifications subject to change without prior notice.

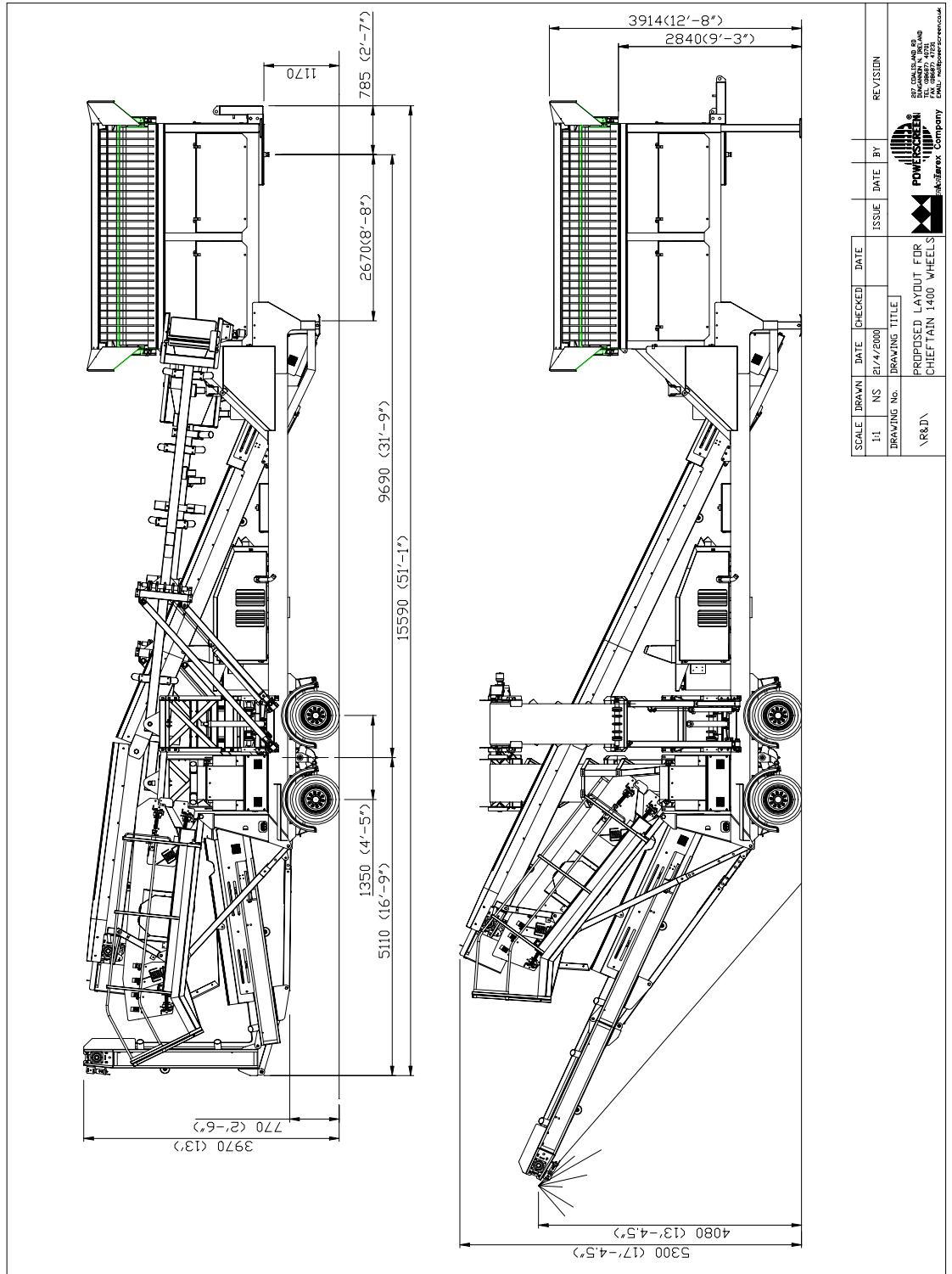


# Turbo Chieftain 1400 Technical Specification



Chieftain 1400 JAN. 2000

Page 6



SCALE	DRAWN	DATE	CHECKED	DATE	ISSUE	DATE	BY	REVISION
1:1	NS	2/14/2000						
DRAWING No. VREDA								
DRAWING TITLE PROPOSED LAYOUT FOR CHIEFTAIN 1400 WHEELS								
 207, Gault Road St. Catharines, ON L2L 0B8 TEL: (905) 977-0700 FAX: (905) 977-0701 E-MAIL: info@powerscreen.com								

**UNLIMITED SOLUTIONS FOR LIMITED RESOURCES**

All specifications subject to change without prior notice.



# *Turbo Chieftain 1400 Technical Specification*



Chieftain 1400 JAN. 2000

Page 7

**UNLIMITED SOLUTIONS FOR LIMITED RESOURCES**

All specifications subject to change without prior notice.

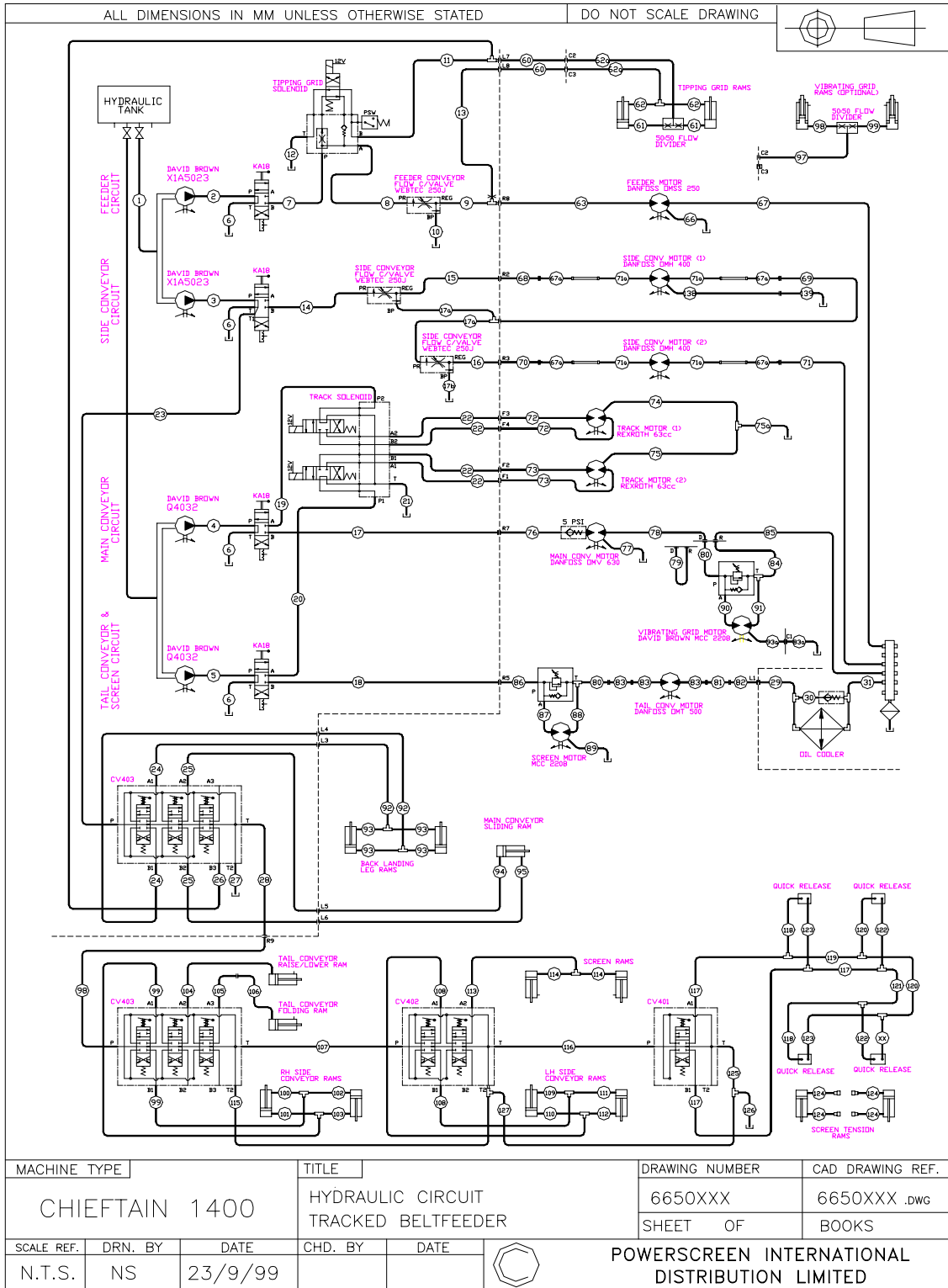


# Turbo Chieftain 1400 Technical Specification



Chieftain 1400 JAN. 2000

Page 8



**UNLIMITED SOLUTIONS FOR LIMITED RESOURCES**

All specifications subject to change without prior notice.

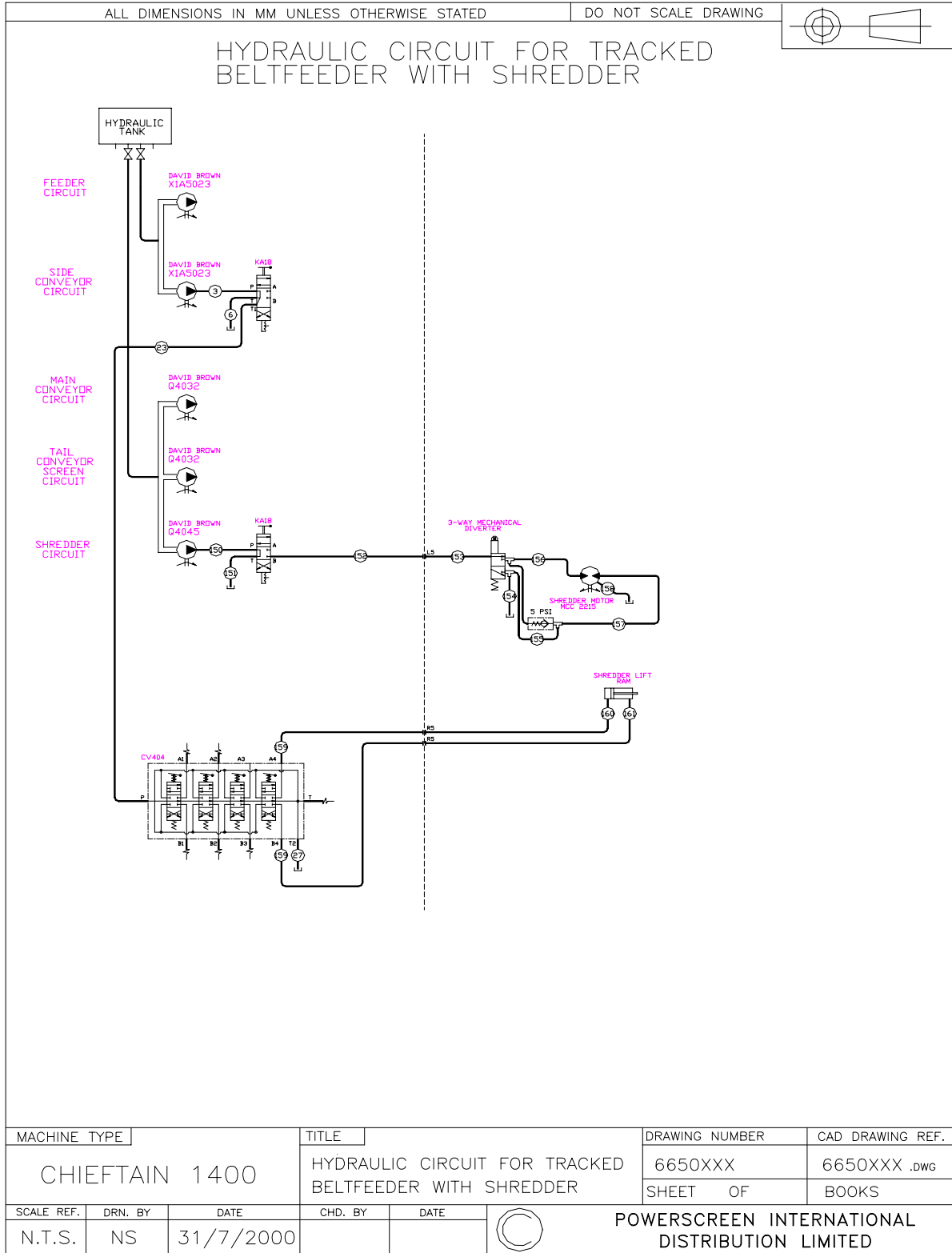


# Turbo Chieftain 1400 Technical Specification



Chieftain 1400 JAN. 2000

Page 9



**UNLIMITED SOLUTIONS FOR LIMITED RESOURCES**

All specifications subject to change without prior notice.

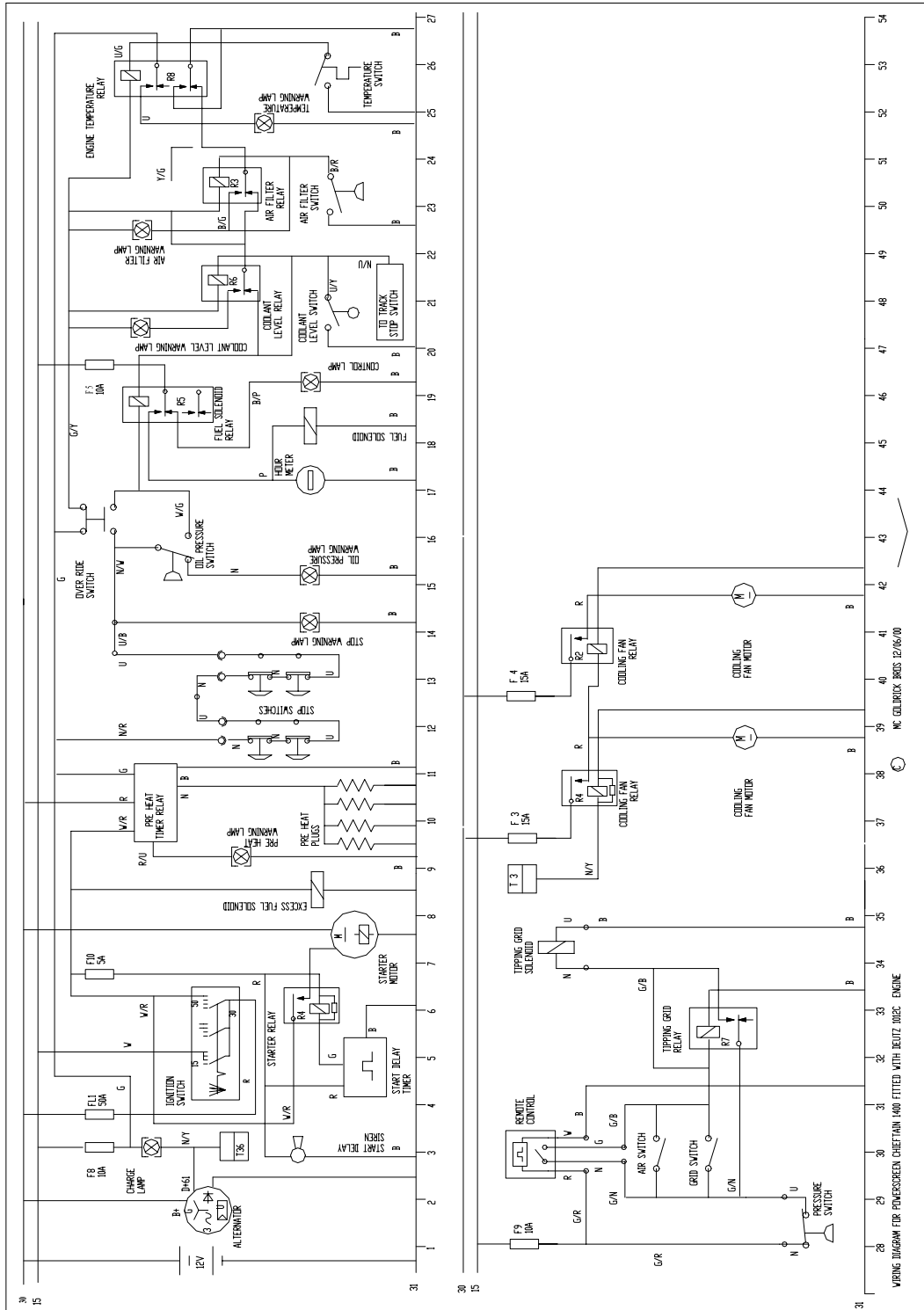


# Turbo Chieftain 1400 Technical Specification



Chieftain 1400 JAN. 2000

Page 10



UNLIMITED SOLUTIONS FOR LIMITED RESOURCES

All specifications subject to change without prior notice.



# *Turbo Chieftain 1400 Technical Specification*



Chieftain 1400 JAN. 2000

Page 11

**UNLIMITED SOLUTIONS FOR LIMITED RESOURCES**

All specifications subject to change without prior notice.

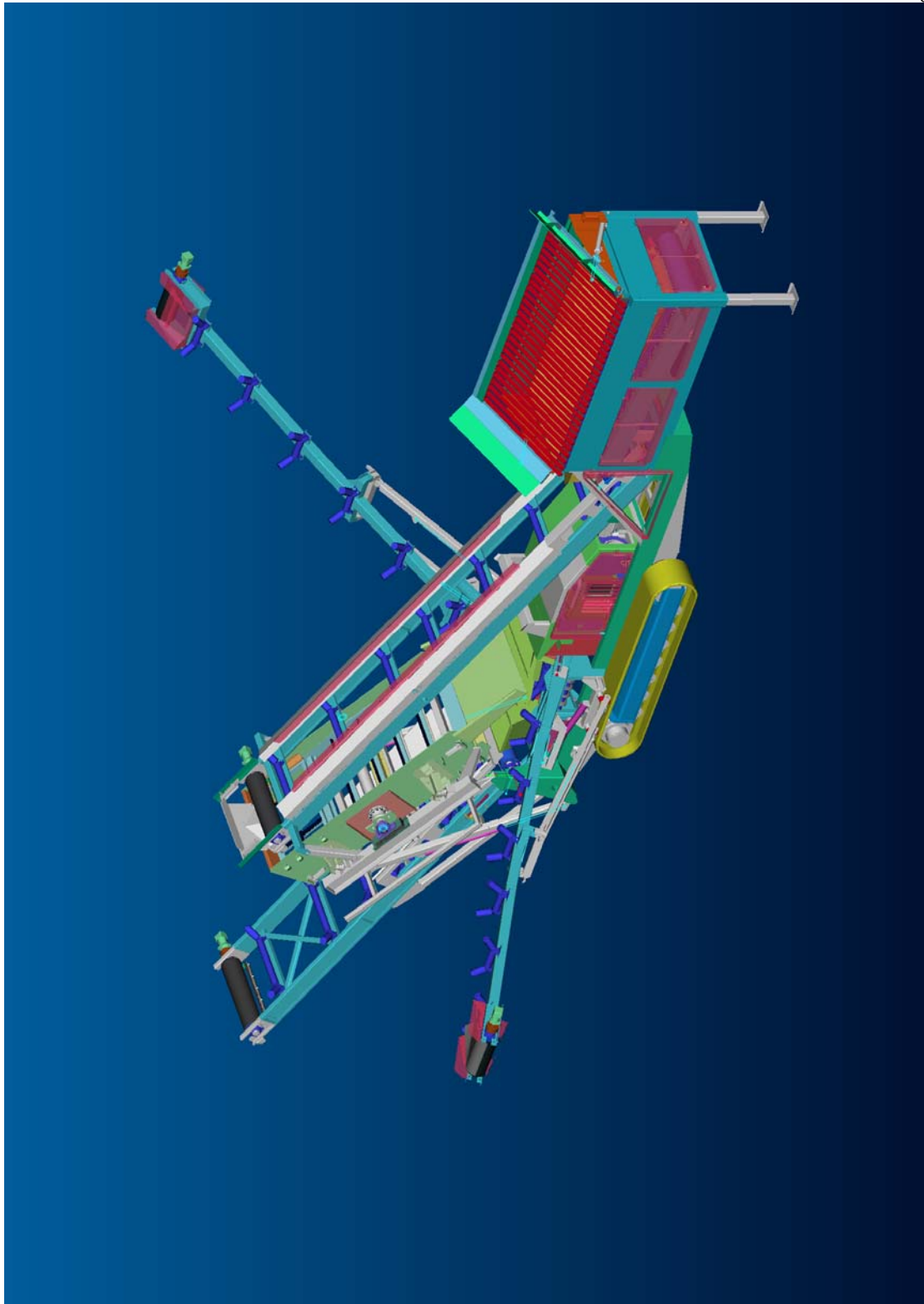


# *Turbo Chieftain 1400 Technical Specification*



Chieftain 1400 JAN. 2000

Page 12



**UNLIMITED SOLUTIONS FOR LIMITED RESOURCES**

All specifications subject to change without prior notice.